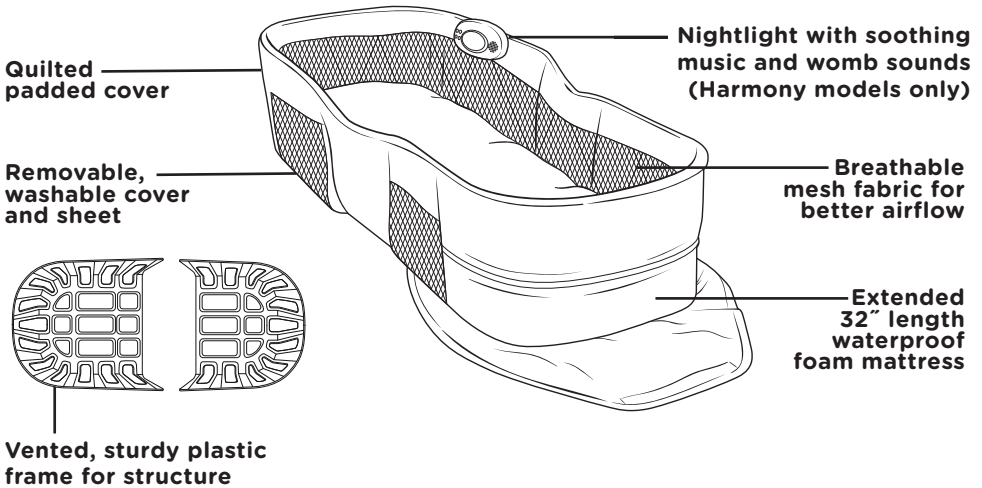


Read all instructions BEFORE assembly and USE of product.  
**KEEP INSTRUCTIONS FOR FUTURE USE.** Prior to using the product, check that the product and all parts were not damaged during delivery.

B A B Y  D E L I G H T ®

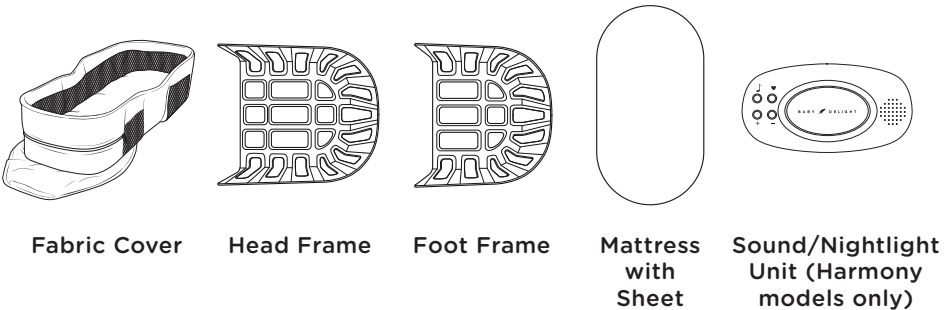
# Snuggle Nest™ Dream/Harmony

Portable Infant Sleeper



## Care & Instructions

### Contents



**⚠ WARNING:** FAILURE TO FOLLOW THESE WARNINGS AND THE INSTRUCTIONS COULD RESULT IN SERIOUS INJURY OR DEATH. DO NOT USE THIS PRODUCT IF YOU CANNOT EXACTLY FOLLOW THE INSTRUCTIONS THAT COME WITH IT.

**FALL HAZARD:** To help prevent falls, do not use this product when the infant begins to push up on hands and knees, can roll over or has reached 15 lbs, whichever comes first.

- ALWAYS use on a flat, stable surface.
- NEVER move, lift or carry this product while child is in it.
- NEVER place on an elevated surface other than an adult bed.
- NEVER use near stairs.
- DO NOT place product at edge of bed. Allow 12 inches from edge of bed.

**SUFFOCATION HAZARD** - Infants have suffocated:

- In gaps between extra padding and side of the product.
- On soft bedding.

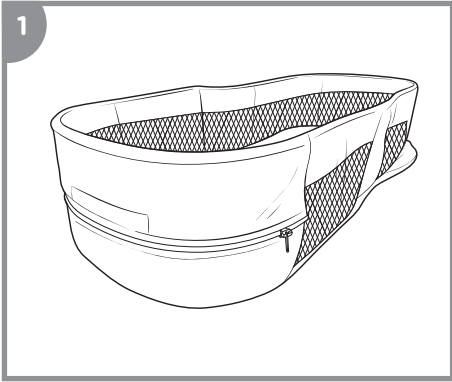
Only use the original pad provided by Baby Delight. NEVER add a pillow, comforter, or another mattress for padding. Keep adult sheets, pillows and blankets away from baby.

To reduce the risk of SIDS, pediatricians recommend healthy infants be placed on their backs to sleep, unless otherwise advised by your physician.

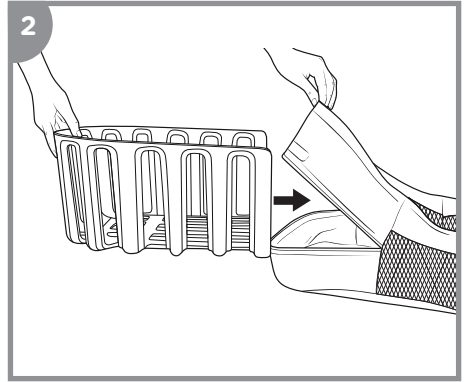
If a sheet is used with the pad, use only the one provided by Baby Delight or one specifically designed to fit the dimensions of the Snuggle Nest™ mattress.

- Do not use this product if the adult mattress is not firm enough to allow the product to lie flat when adults are in the bed. NEVER use on a water mattress.
- NEVER use in a motor vehicle.
- NEVER use in a crib or play yard.
- NEVER allow infant to co-sleep with a child or pet or an adult who is under the influence of alcohol or medication or who is obese or has a sleeping disorder.
- Keep product away from hazards that may injure your child.
- Do not allow blankets near your child. Place the product's head side against the headboard of the adult bed.
- Strings can cause strangulation! Do not place items with a string around a child's neck, such as hood strings or pacifier cords. Do not suspend strings over the product or attach strings to toys. NEVER place the product near window blinds with cords.
- NEVER leave child unattended.
- NEVER place more than one child in product.

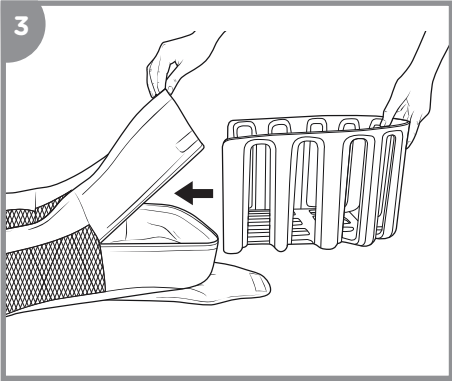
## Assembly/Operating



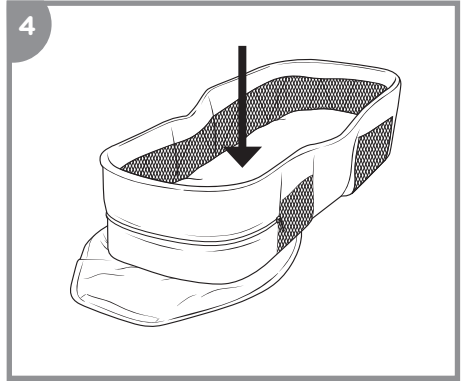
1  
Unzip head end of COVER (the end with the Baby Delight logo).



2  
Carefully insert HEAD FRAME into pocket and adjust COVER until it fits FRAME. Zip closed.

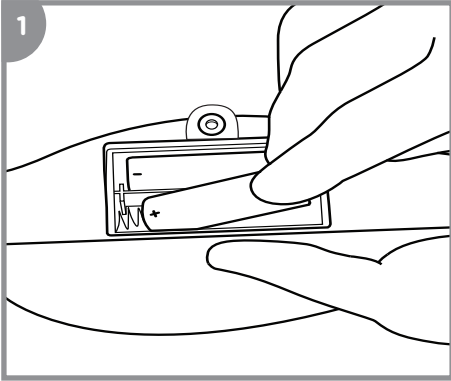


3  
Unzip foot end COVER. Carefully insert FOOT FRAME into pocket and adjust COVER until it fits FRAME. Zip closed.

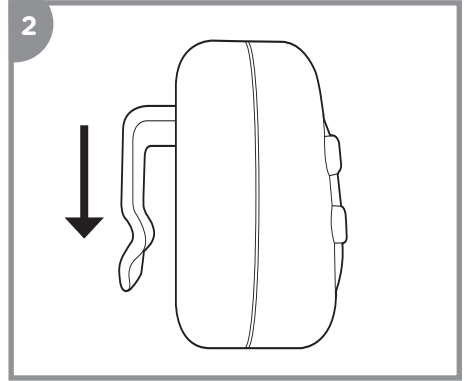


4  
Place MATTRESS with sheet inside the Snuggle Nest™.

## Nightlight/Sound Unit (Harmony models only)



Unscrew BATTERY DOOR on back of SOUND/NIGHTLIGHT UNIT and insert 2 "AA" batteries and replace BATTERY DOOR and secure with screw.



Attach SOUND/NIGHTLIGHT UNIT unit on Snuggle Nest™ by sliding SOUND/NIGHTLIGHT UNIT clip over the HEAD FRAME.

### Functions:

**NIGHTLIGHT** - Press the center of the SOUND/NIGHTLIGHT UNIT to turn NIGHTLIGHT on. Press NIGHTLIGHT again to shut off. NIGHTLIGHT automatically shuts off after 5 minutes.

**SOUNDS:** There are two sounds and five levels of volume control. Sounds automatically shut off after 5 minutes.

🎵 : Press to play Brahms's Lullaby. Press again to turn sound off.

♥ : Press to play a soothing sound which mimics a swooshing womb sounds. Press again to turn sound off.

+ - : Press to turn volume up or down.

**⚠️ WARNING!** The nightlight product is not a toy. Do not allow children to play with nightlight. Use with proper adult supervision. ALWAYS install the light on the Snuggle Nestz only as instructed. NEVER mix old and new batteries. NEVER mix alkaline, standard, or rechargeable batteries. ALWAYS remove batteries when light is stored for an extended period of time or when batteries are exhausted. Dispose of exhausted batteries properly.

## Care & Cleaning

Remove the HEAD FRAME and FOOT FRAME from the cover.

The Snuggle Nest™ COVER and SHEET are machine washable. Always wash in cold water and dry on low heat to keep your Snuggle Nest™ in the best condition. Do not use bleach. The MATTRESS COVER and the plastic base can be cleaned with a wet cloth.

**This device complies with part 15 of the FCC Rules. Operation is subject to the following two conditions: (1) this device may not cause harmful interference, and (2) this device must accept any interference received, including interference that may cause undesired operation.**



**WARNING!** Changes or modifications to this unit not expressly approved by the party responsible for compliance could void the user's authority to operate the equipment.

**NOTE:** This equipment has been tested and found to comply with the limits for a Class B digital device, pursuant to part 15 of the FCC Rules. These limits are designed to provide reasonable protection against harmful interference in a residential installation. This equipment generates, uses and can radiate radio frequency energy and, if not installed and used in accordance with the instructions, may cause harmful interference to radio communications. However, there is no guarantee that interference will not occur in a particular installation. If this equipment does cause harmful interference to radio or television reception, which can be determined by turning the equipment off and on, the user is encouraged to try to correct the interference by one or more of the following measures:

Reorient or relocate the receiving antenna.

Increase the separation between the equipment and receiver.

Connect the equipment into an outlet on a circuit different from that to which the receiver is connected. Consult the dealer or an experienced radio/TV technician for help.

This Class B digital apparatus complies with Canadian ICES-003.

# 0-5 months

**Discontinue use when baby begins to roll over or push up on hands or knees.**

## Accessories

It is also possible to order additional covers, sheets, or lights for your Snuggle Nest™. Ask your retailer, call Baby Delight at 1-401-333-6800, or order online at [www.babydelight.com](http://www.babydelight.com).

## Limited Warranty

At Baby Delight, Inc. we make innovative and high quality products for babies, children and their parents. We warrant this product to be free from defects in material and workmanship at the time of manufacture for a period of 90-days from the date of initial purchase (sales receipt is required for proof of purchase). If a defect is discovered during the limited warranty period, we will, at our sole option, repair or replace your product at no cost to you.

This limited warranty does not cover claims resulting from misuse, failure to follow the instructions on installation, maintenance and use, abuse, alteration, involvement in an accident, and normal wear and tear.

DO NOT use Snuggle Nest™ if any parts are missing, damaged, or broken. Contact Baby Delight for replacement parts and instructional literature if needed. DO NOT substitute parts.

For warranty service or replacement part information:

USA: Please call Customer Service at 1-401-333-6800, email at [info@babydelight.com](mailto:info@babydelight.com), or mail 30 Martin Street, Suite 3C, Cumberland, RI 02864.

US Patent#: 8,627,520



B A B Y  D E L I G H T

[www.babydelight.com](http://www.babydelight.com)

©2020 Baby Delight, Inc. 1-401-333-6800 [info@babydelight.com](mailto:info@babydelight.com)  
BD03010, BD03020, BD03030, BD03040, BD03050, BD03060, BD03070