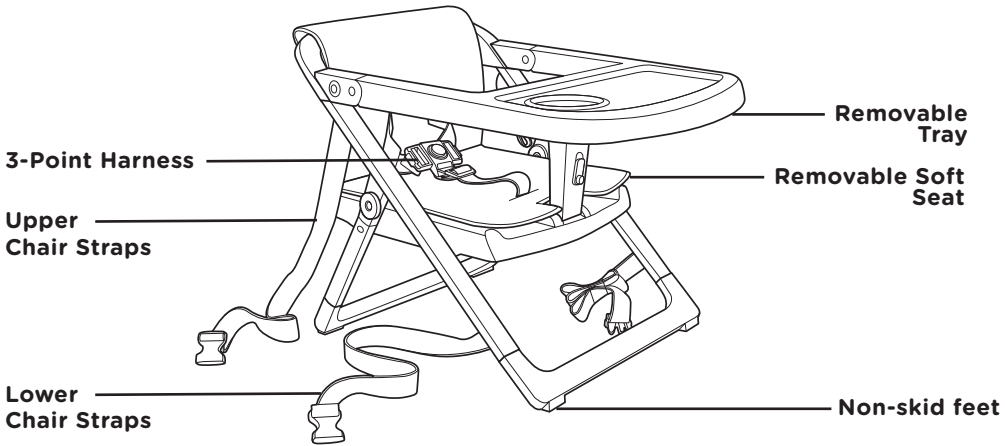


Read all instructions BEFORE assembly and USE of product.  
KEEP INSTRUCTIONS FOR FUTURE USE. Prior to using the product, check  
that the product and all parts were not damaged during delivery.

BABY  DELIGHT

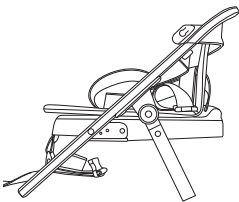
# GoWithMe® Cirrus

Deluxe Portable Booster



## Care & Instructions

### Contents



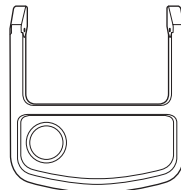
Booster Frame



Front Foot



Rear Foot



Tray



Travel Bag

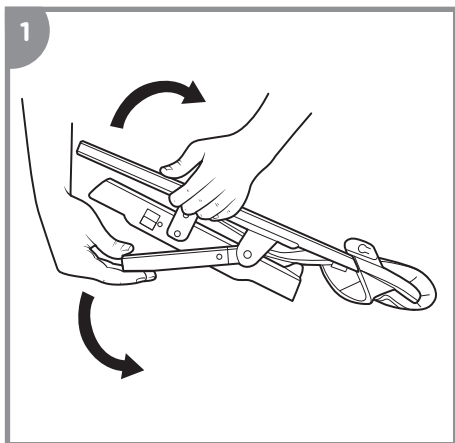
# ⚠️ WARNING:

Children have suffered **head injuries**, including skull fractures, **after falling** with or from booster seats.

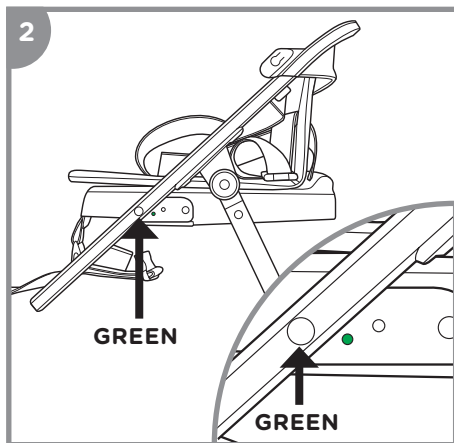
- Check that booster seat is **securely attached** to adult chair before each use, with both the seat and back attachment straps provided.
  - **Always use restraints** until child is able to get in and out of booster seat without help. Adjust to **fit snugly**.
  - **NEVER** allow child to **push away from table**.
  - **NEVER** lift and **carry** child in booster seat.
  - **Stay near** and **watch** your child during use.
  - **NEVER** use this product on a stool or bench that does not have a seat back.
  - **Always** secure child with the restraint system adjusted to fit child. The tray is not designed to hold child in the product. Use the restraint system until child is able to get in and out of the product without help (about 2 ½ years old).
  - Use this product only for children capable of sitting upright unassisted.
- 
- Prevent serious injury or death. Do not use this booster seat in a motor vehicle.
  - Only use on adult chairs with minimum dimensions of : Seat width 14"; seat depth 16"; seat backrest height of at least 15" tall.

## Assembly/Operating

### Assembling the BOOSTER:

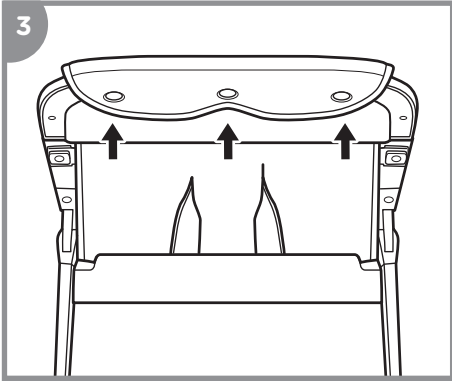


Unfold BOOSTER by opening the FRONT and BACK LEGS until BUTTONS click.

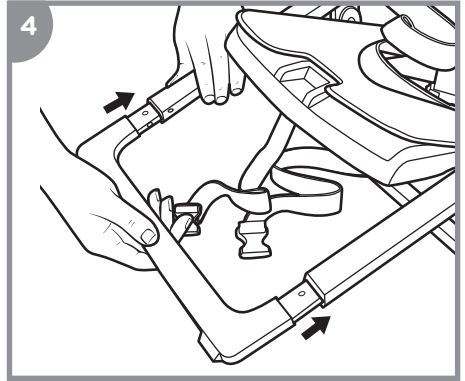


You should see green color (not red) through the hole on each side of the BOOSTER FRAME.

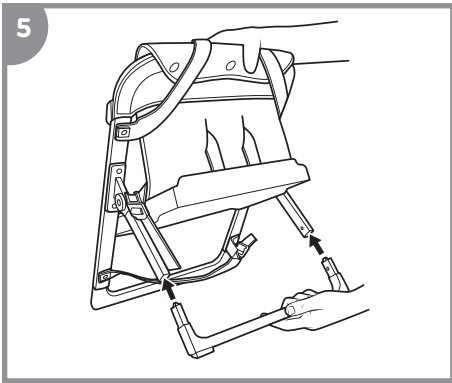
# Assembly/Operating



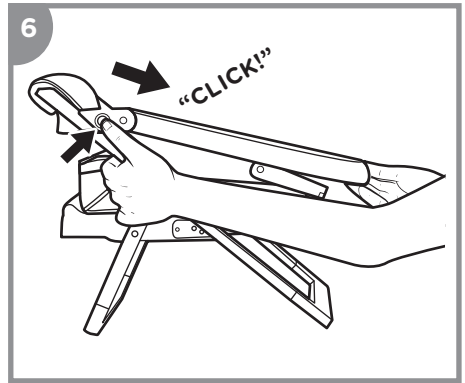
Button FABRIC SEAT back under the back of TOP FRAME.



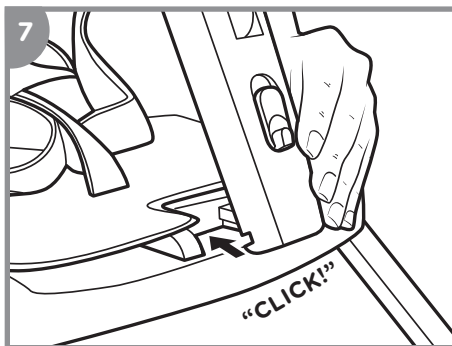
Plug in FRONT FOOT section until BUTTONS click with solid side facing out.



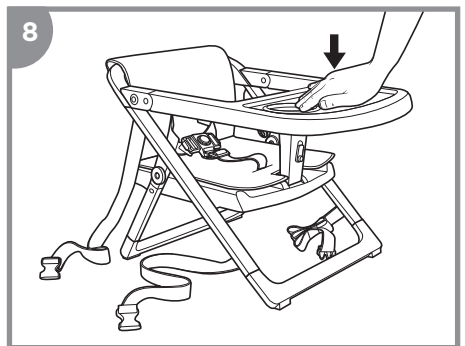
Plug in BACK FOOT section until BUTTONS click with solid side facing out.



Slide the TRAY down until the BUTTONS on each side click.



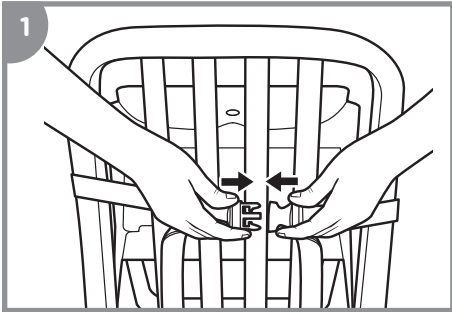
Lift up the TRAY. Press CROTCH SUPPORT into slot on seat until you hear a click.



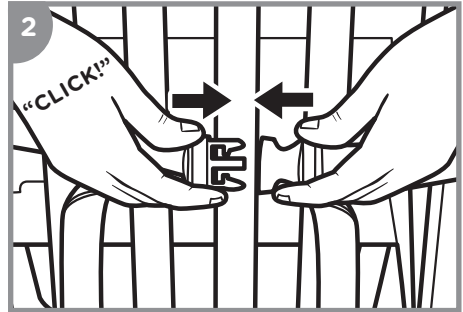
Ensure the TRAY is locked by pushing down on the TRAY.

# Assembly/Operating - Continued

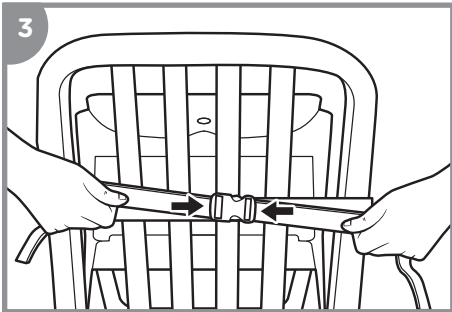
## Attaching the BOOSTER to a chair:



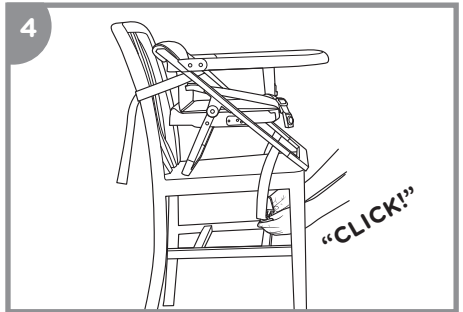
Pass UPPER STRAPS around the back of the adult chair.



Connect the BUCKLES (you should hear a click).

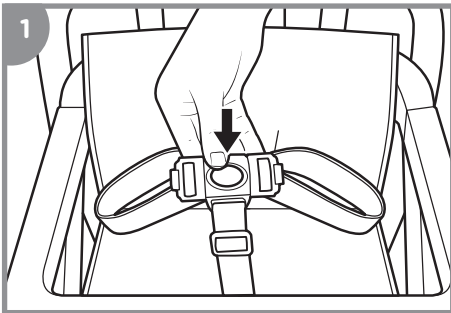


Tighten the UPPER STRAPS by pulling them in opposite directions.

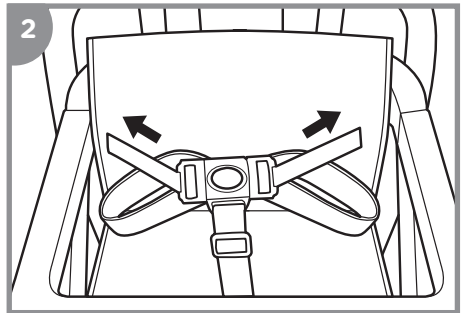


Wrap the LOWER STRAPS under the adult chair and connect the BUCKLES (you should hear a click). Tighten.

## Using the 3-POINT HARNESS:



Unbuckle WAIST STRAPS by pressing CENTER BUTTON.



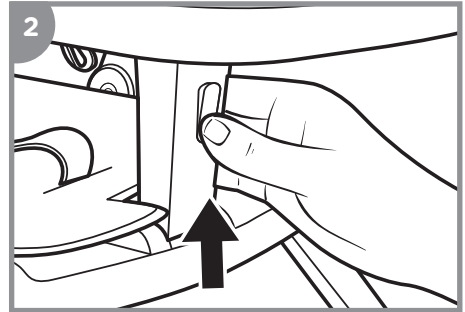
Buckle child into 3-POINT HARNESS and tighten STRAPS for a snug and secure fit.

# Assembly/Operating - Continued

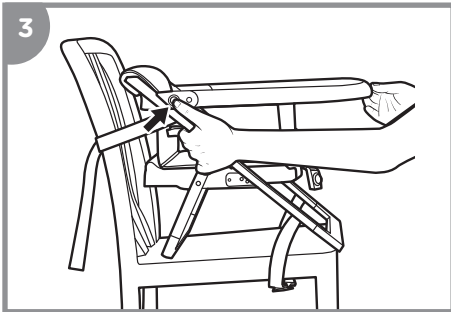
## Detaching the TRAY:



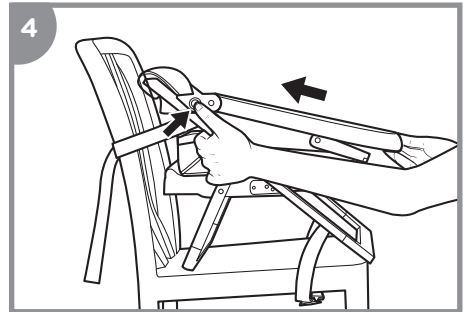
Press button on front of CROTCH SUPPORT.



Slide lever up to disengage. Pull CROTCH SUPPORT forward to release.

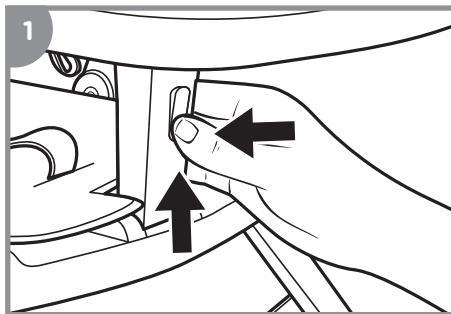


Press BUTTON on one side of the tray and start to slide the TRAY up the FRAME (on a 45 degree angle).

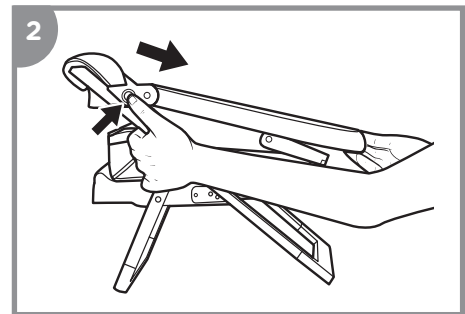


Repeat on the other side of the TRAY to release the TRAY completely.

## Folding the BOOSTER:



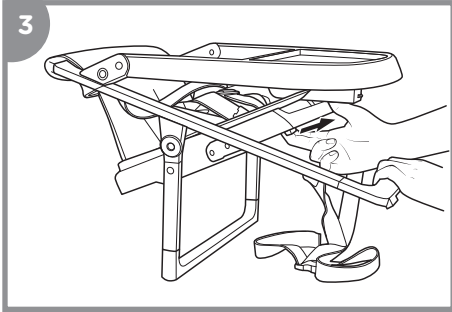
Press BUTTON on front of CROTCH SUPPORT and slide LEVER up to disengage



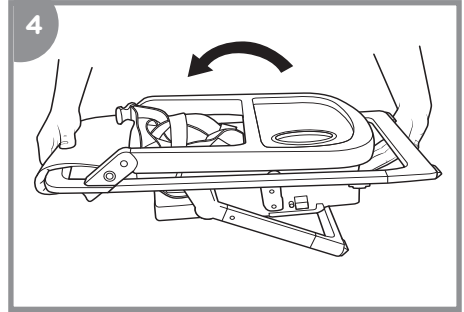
Pull the CROTCH RESTRAINT forward and rotate the TRAY down.

# Assembly/Operating - Continued

## Folding the BOOSTER (Continued):

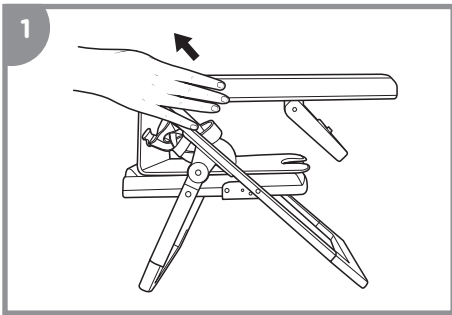


Pull the FOLDING RELEASE TAB on the underside of the SEAT toward you.

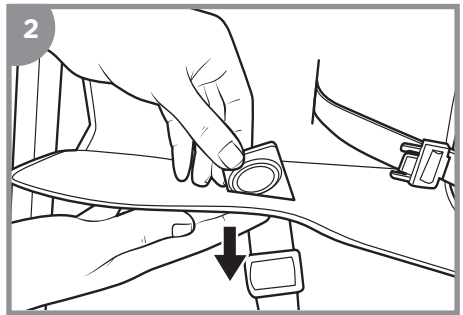


Rotate down to fold flat.

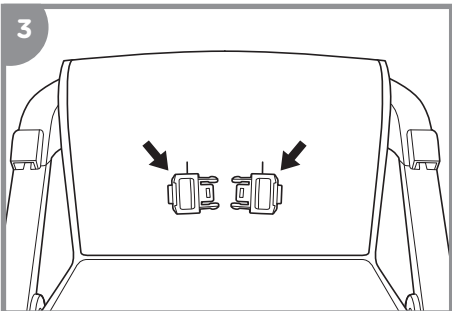
## Removing the FABRIC SEAT:



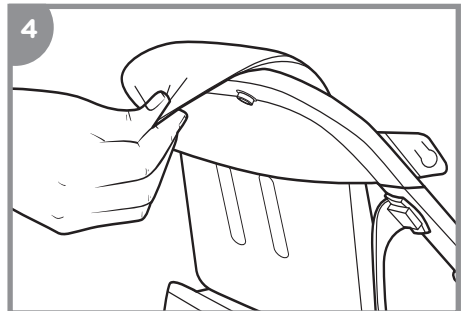
Remove the TRAY (see Removing the Tray section).



Unlock the 3-POINT HARNESS and pull CROTCH STRAP through the bottom fabric slot in the FABRIC SEAT.



Pull both SHOULDER STRAPS through the back fabric slots.



Unsnap the three BUTTONS on the back of the SEAT FRAME.

## Care & Cleaning

Simply use a mild soap and damp cloth to wipe down the BOOSTER SEAT and FABRIC SEAT.

## Limited Warranty

At Baby Delight, Inc. we make innovative and high quality products for babies, children and their parents. We warrant this product to be free from defects in material and workmanship existing at the time of manufacture for a period of 90-days from the date of initial purchase (sales receipt is required for proof of purchase). If such a defect is discovered during the limited warranty period, we will, at our sole option, repair or replace your product at no cost to you.

This limited warranty does not cover claims resulting from misuse, failure to follow the instructions on installation, maintenance and use, abuse, alteration, involvement in an accident, and normal wear and tear.

For warranty service or replacement part information:

Please call 1-401-333-6800, email [info@babydelight.com](mailto:info@babydelight.com), or write to Consumer Services: 30 Martin Street, Suite 3C, Cumberland, RI 02864

Some replacement parts may be available for purchase after this limited warranty expires. Please visit us at [www.babydelight.com](http://www.babydelight.com) or call us at 1-401-333-6800 for details.

