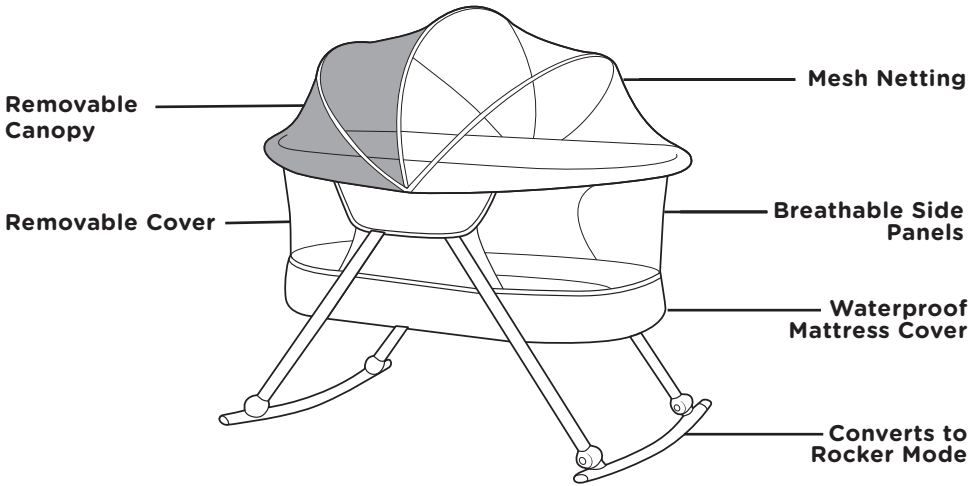


Read all instructions BEFORE assembly and USE of product.  
KEEP INSTRUCTIONS FOR FUTURE USE. Prior to using the product, check  
that the product and all parts were not damaged during delivery.

B A B Y  D E L I G H T

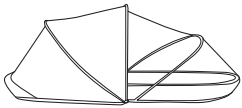
# Go With Me Slumber

Deluxe Portable Bassinet



## Care & Instructions

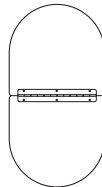
### Contents



Fabric/Mesh  
Canopy



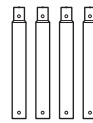
Mattress with  
Waterproof  
Sheet



Mattress  
Board



Rocker  
Frame  
Tube (2)



Middle  
Frame  
Tube (4)



Travel Bag

**⚠ WARNING:** FAILURE TO FOLLOW THESE WARNINGS AND THE INSTRUCTIONS COULD RESULT IN SERIOUS INJURY OR DEATH.

### FALL HAZARD

- To help prevent falls, do not use this product when the infant begins to push up on hands and knees or has reached 15 lbs., whichever comes first.
- Always check that the bassinet is securely locked by pressing down on bassinet frame. Check BEFORE each use.

### SUFFOCATION HAZARD

 Infants have suffocated:

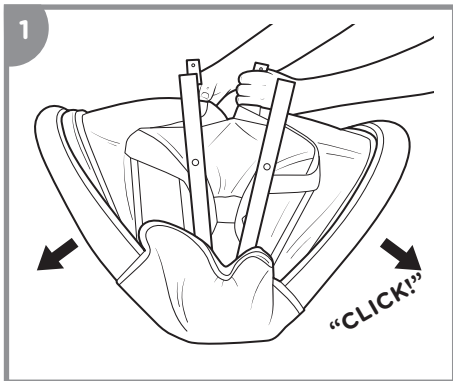
- In gaps between extra padding and side of bassinet, and
- On soft bedding.

Use only the pad provided by Baby Delight, Inc. NEVER add a pillow, comforter, or another mattress for padding.

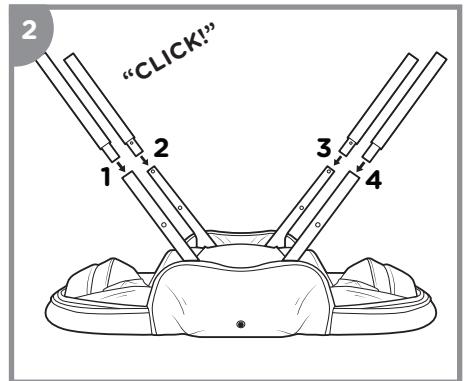
- To reduce the risk of SIDS, pediatricians recommend healthy infants be placed on their backs to sleep, unless otherwise advised by your physician.
- If a sheet is used with the pad, use only the one provided by Baby Delight or one specifically designed to fit the dimension of the bassinet mattress.
- Strings can cause strangulation! Do not place items with a string around a child's neck, such as hood strings or pacifier cords. Do not suspend strings over a bassinet or cradle or attach strings to toys.

## Assembly/Operating

### Assembling the BASSINET:

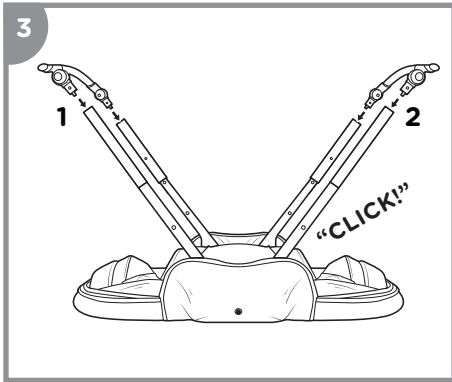


Unfold Bassinet FRAME by spreading frame apart until you hear a click.

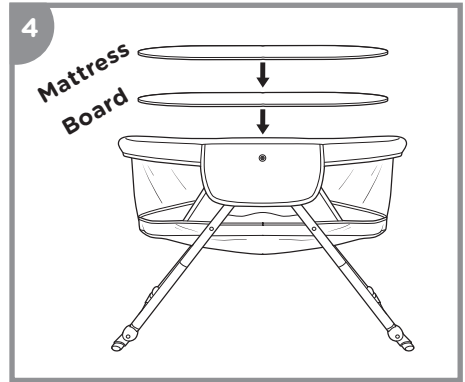


Plug 4 MIDDLE FRAME TUBES into UPPER FRAME TUBES making sure buttons face inward and are clicked in securely.

## Assembly/Operating (Continued)



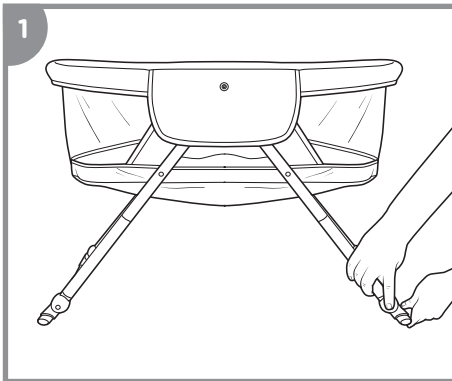
Plug two **ROCKER FRAME TUBES** into **MIDDLE FRAME TUBES** making sure the word **"OUTSIDE"** on the **ROCKER FRAME TUBES** is facing outward and buttons are clicked in securely.



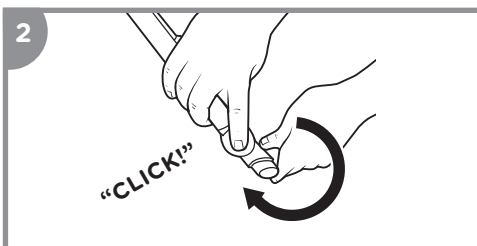
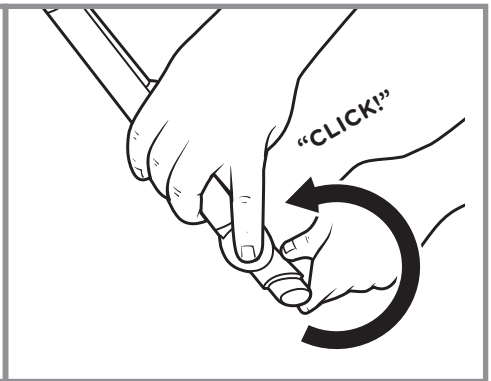
Turn assembled **BASSINET** over and place **BOARD** (with hinge side facing down) and **MATTRESS** with **SHEET** inside the **BASSINET**

### Changing between stationary and rocking mode:

Note: Make sure the baby is **NOT** in the bassinet when switching between stationary and rocking mode.



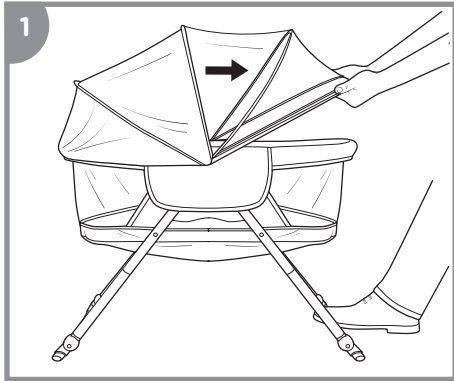
Push button on each **ROCKER FRAME** next to the word **OUTSIDE** and rotate **ROCKER FRAME TUBE** upward to be in stationary (non-rocking) mode.



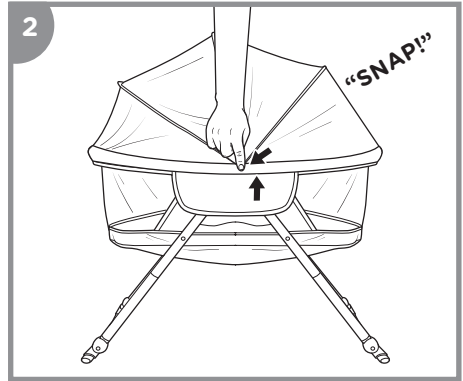
Push button on each **ROCKER FRAME** next to the word **OUTSIDE** and rotate **ROCKER FRAME TUBE** inward to go back to rocker mode.

# Assembly/Operating (Continued)

## Attaching the CANOPY:

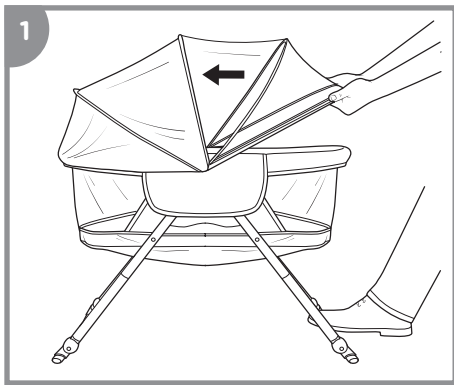


Stretch CANOPY over FRAME with logo facing upwards.

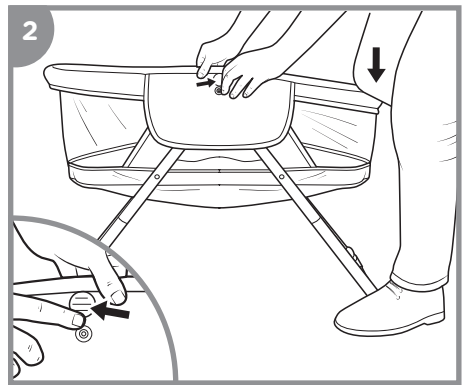


Snap the two CANOPY buttons on each side of frame to secure CANOPY.

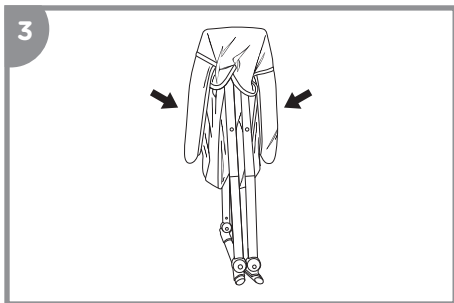
## Folding BASSINET for Travel:



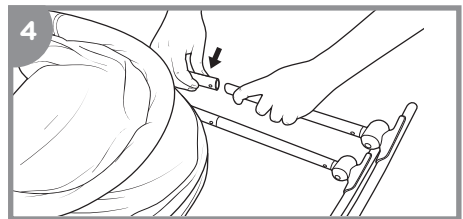
Remove CANOPY if attached to BASSINET.



Press BUTTON GRAPHIC on each side of the FABRIC COVER to start to fold down both sides of the BASSINET.



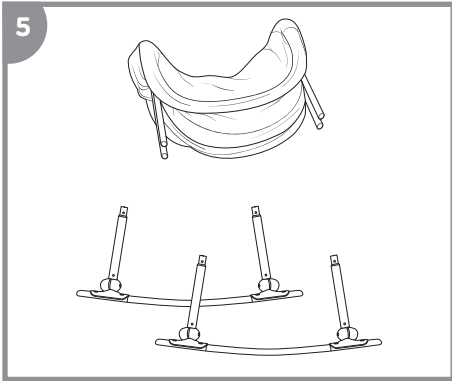
Continue folding BASSINET inward.



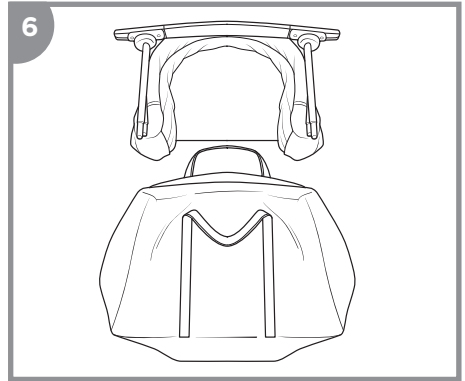
Press buttons on inside MIDDLE FRAME TUBES (ROCKER FRAME TUBES can remain attached to MIDDLE FRAME TUBES).

## Assembly/Operating (Continued)

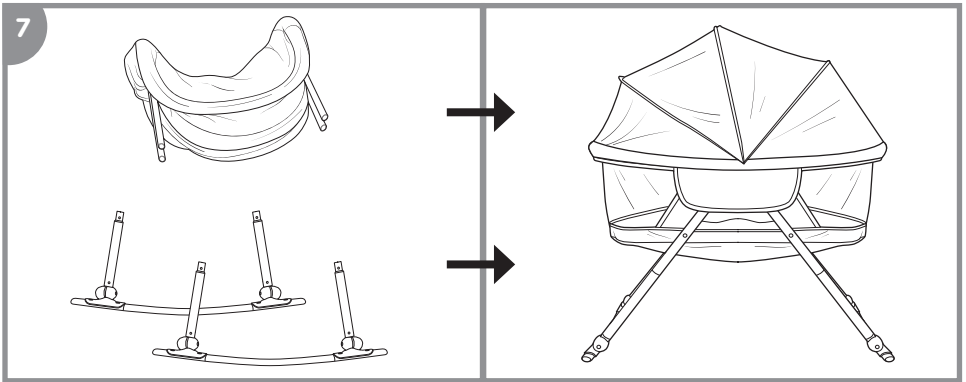
### Folding BASSINET for Travel (Continued):



Remove the MIDDLE FRAME TUBES from the UPPER FRAME



Place Bassinet and ROCKER/MIDDLE FRAME TUBE assemblies into TRAVEL BAG.



Reverse order to re-assemble making sure all buttons are securely clicked in.

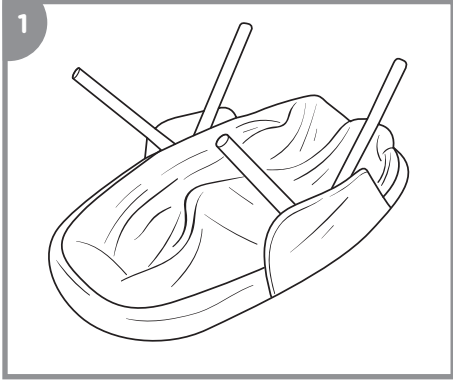
### **⚠️ ADDITIONAL WARNING:**

**STRINGS CAN CAUSE STRANGULATION! DO NOT PLACE ITEMS WITH A STRING AROUND A CHILD'S NECK, SUCH AS HOOD STRINGS OR PACIFIER CORDS. DO NOT SUSPEND STRINGS OVER A BASSINET OR CRADLE OR ATTACH STRINGS TO TOYS.**

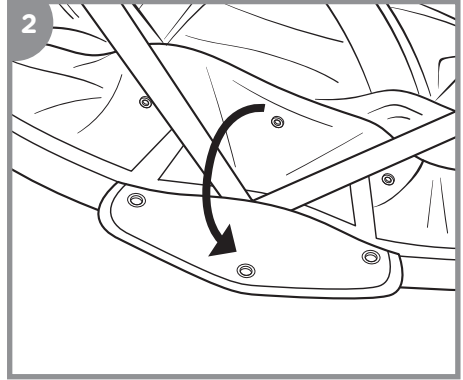
# Care & Cleaning

Simply use a mild soap and damp cloth to wipe down the BASSINET.

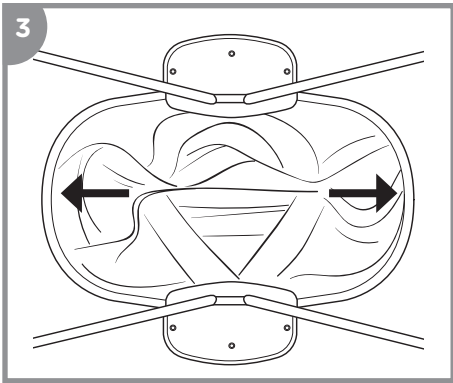
- To machine wash MATTRESS SHEET, wash on gentle cycle and air dry
- To machine wash FABRIC COVER, wash on gentle cycle and air dry
- To remove FABRIC COVER:



Turn BASSINET upside down.



Unsnap SIDE FLAPS (with logo)  
from FRAME.



Unzip fabric cover on each end to  
remove, wash on gentle cycle and  
air dry.

To re-assemble FABRIC COVER, place back on FRAME, and re-zip on both sides of FABRIC COVER to secure. Re-snap SIDE FLAP buttons back to secure.

## Limited Warranty

At Baby Delight, Inc. we make innovative and high quality products for babies, children and their parents. We warrant this product to be free from defects in material and workmanship existing at the time of manufacture for a period of 90-days from the date of initial purchase (sales receipt is required for proof of purchase). If such a defect is discovered during the limited warranty period, we will, at our sole option, repair or replace your product at no cost to you.

This limited warranty does not cover claims resulting from misuse, failure to follow the instructions on installation, maintenance and use, abuse, alteration, involvement in an accident, and normal wear and tear.

DO NOT use BASSINET if any parts are missing, damaged, or broken. Contact for replacement parts and instructional literature if needed. DO NOT substitute parts.

For warranty service or replacement part information:

USA: Please call Customer Service at 1-401-333-6800, email at [info@babydelight.com](mailto:info@babydelight.com), or mail 30 Martin Street, Suite 3C, Cumberland, RI 02864.

B A B Y  D E L I G H T

[www.babydelight.com](http://www.babydelight.com)

©2018 Baby Delight, Inc.

1-401-333-6800

[info@babydelight.com](mailto:info@babydelight.com)

BD05310