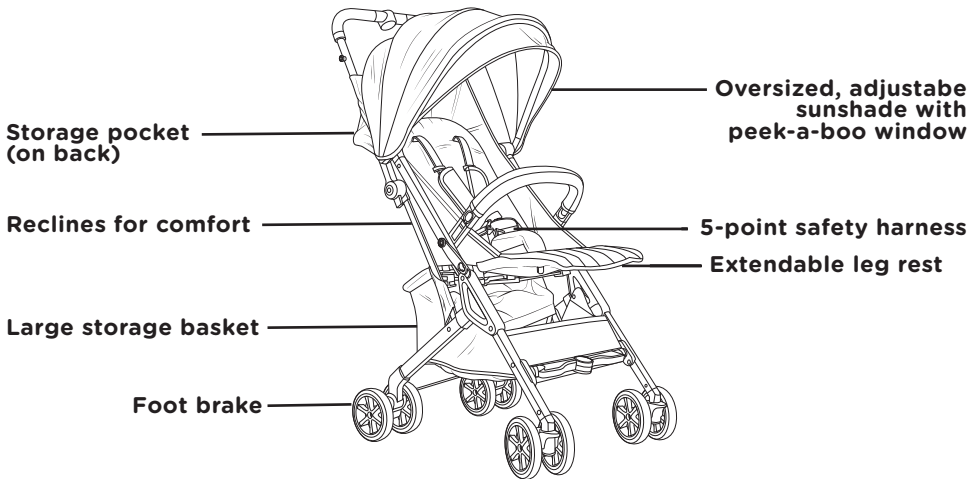


Read all instructions **BEFORE** assembly and **USE** of product.
KEEP INSTRUCTIONS FOR FUTURE USE. Prior to using the product, check
that the product and all parts were not damaged during delivery. Use
from birth until child has reached 50 lb (22.7 kg).

B A B Y  D E L I G H T[®]

GoWithMe[®] Dart

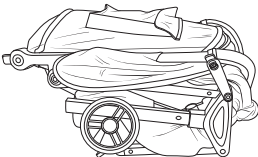
Ultra Compact Stroller



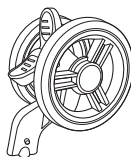
Care & Instructions

Contents

Check that you have all the parts for this model **BEFORE** assembling your product. If any parts are missing, call Customer Service.



Stroller frame



Rear wheels



Travel bag

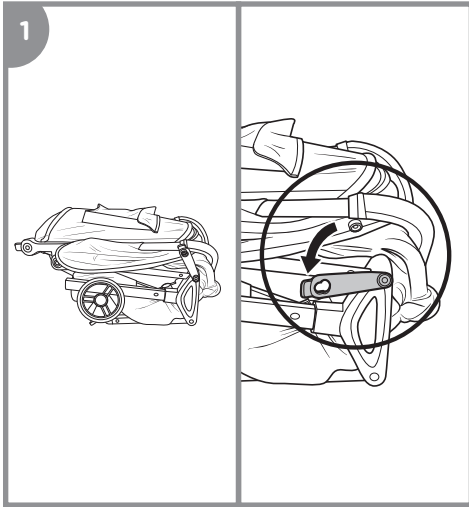
WARNING

Failure to follow these warnings and the assembly instructions could result in serious injury or death.

- **PLEASE SAVE OWNER'S MANUAL FOR FUTURE USE.**
- **ADULT ASSEMBLY REQUIRED.**
- **NEVER LEAVE** child unattended. Always keep child in view while in stroller.
- **AVOID SERIOUS INJURY** from falling or sliding out. Always use seat belt. After fastening buckles, adjust belts to get a snug fit around your child.
- **AVOID FINGER ENTRAPMENT:** Use care when folding and unfolding the stroller. Be certain the stroller is fully erected and latched before allowing your child near the stroller.
- **CHILD MAY SLIP INTO LEG OPENINGS AND STRANGLE.** Do not use in reclined carriage position with an older child that can lift up on hands and knees or crawl out. NEVER use in full recline position unless footrest is in the reclined carriage position.
- **NEVER USE STROLLER ON STAIRS** or escalators. You may suddenly lose control of the stroller or your child may fall out. Also, use extra care when going up or down a step or curb.
- **STROLLER TO BE USED** only at walking speed. Product not intended for use while jogging, skating, etc.
- **TO PREVENT A HAZARDOUS UNSTABLE CONDITION**, never place purses, shopping bags, parcels or accessory items on the handle. Never place anything on the canopy.
- **DO NOT** use storage basket as a child carrier.
- **DO NOT ALLOW** your child to stand on the basket. It may collapse and cause injury.
- **NEVER PLACE** child in the stroller with head toward front of stroller.
- **NEVER ALLOW YOUR STROLLER** to be used as a toy.
- **DISCONTINUE USING YOUR STROLLER** should it become damaged or broken.
- **AVOID STRANGULATION.** DO NOT place items with a string around your child's neck, suspend strings from this product, or attach strings to toys.
- **TO PREVENT A HAZARDOUS, UNSTABLE CONDITION**, do not place more than 10 lbs (4.5 kg) in the storage basket, or more than 1 lb (0.45 kg) in the back pocket.

Assembly/Operating

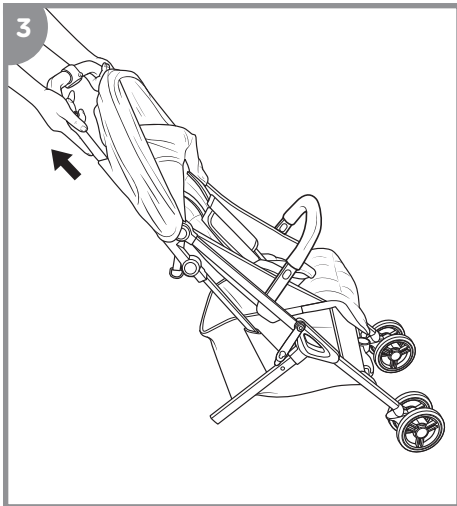
Assembling the Stroller:



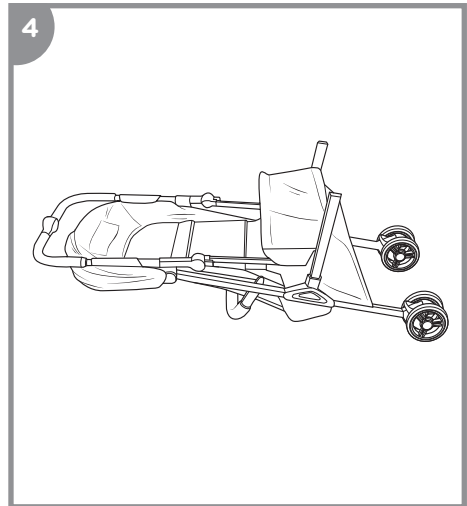
Remove **STROLLER** from **TRAVEL BAG** and remove **LOCKING STRAP** from the **POST** on the **HANDLE BAR**.



Pull **HANDLE BAR** up and towards you with your palms facing up on each side of **HANDLE BAR**.

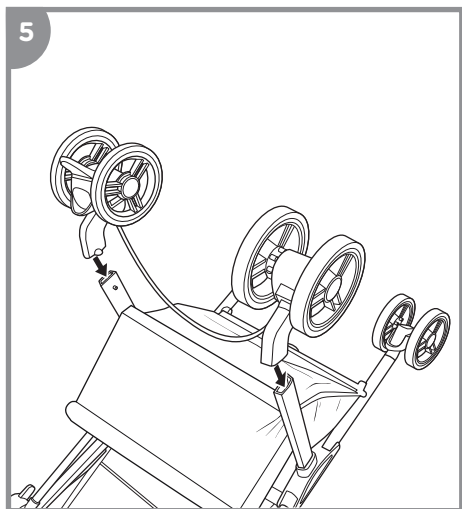


Continue to pull up in an upward swinging motion, while straightening the **HANDLE BAR** until **FRAME** and **HANDLE BAR** click.

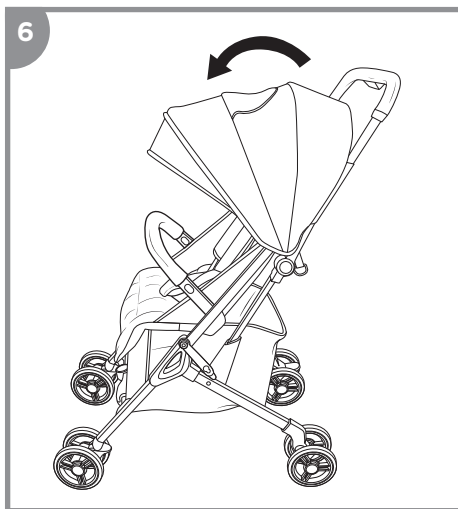


Turn the **STROLLER** upside down and lay flat with **FRONT WHEELS** facing you.

Assembly/Operating Continued

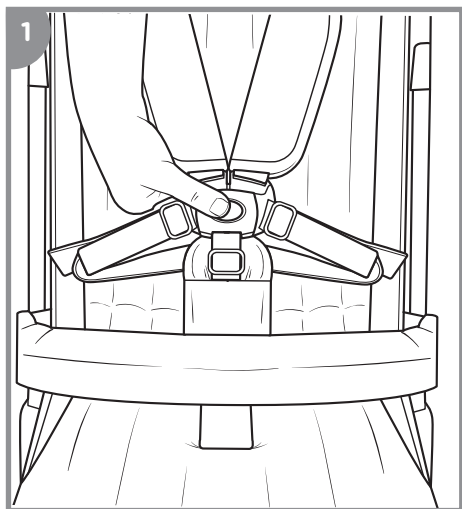


With the BRAKE PEDAL facing you on the right side, insert REAL WHEELS on REAR FRAME LEGS until SILVER BUTTONS click through the inside HOLES of REAR WHEEL ASSEMBLY on each side.

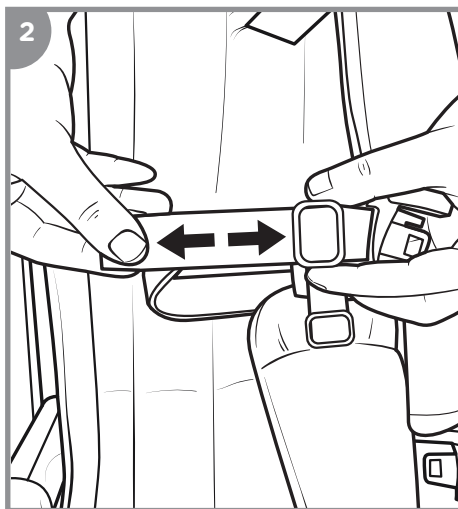


Turn STROLLER right side up. Pull CANOPY forward. CANOPY has a fourth panel that is under the CANOPY that can be extended as well.

5- Point Safety Harness:

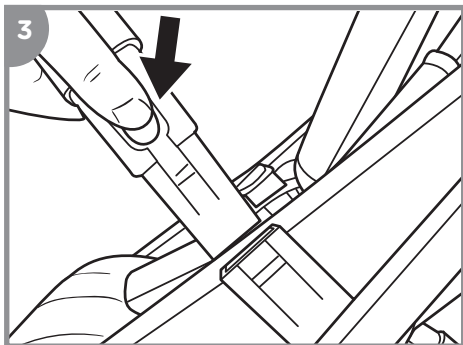


Secure child in the 5-POINT SAFETY HARNESS by pressing the CENTER BUTTON to unfasten harness and clicking STRAPS back into the CENTER to secure child.



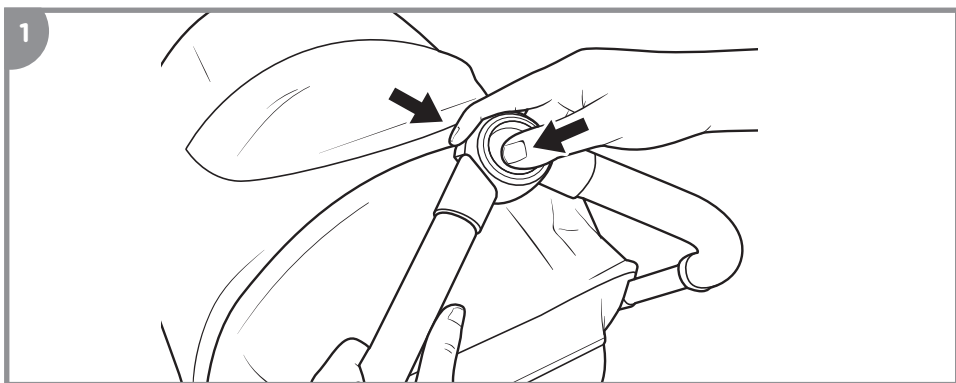
The 5-POINT SAFETY straps can be loosened and tightened as well.

Assembly/Operating Continued

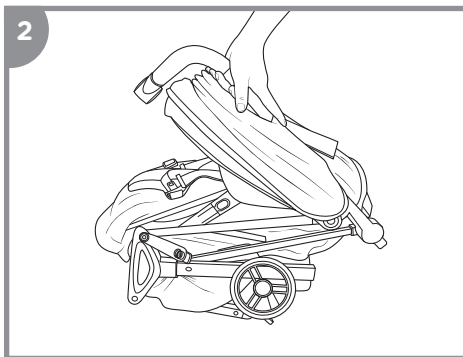


The BUMPER BAR can be disconnected on one side or completely removed to make putting in or taking out your child easier. Simply press the TABS on the side of the BUMPER BAR and lift it out of the slots.

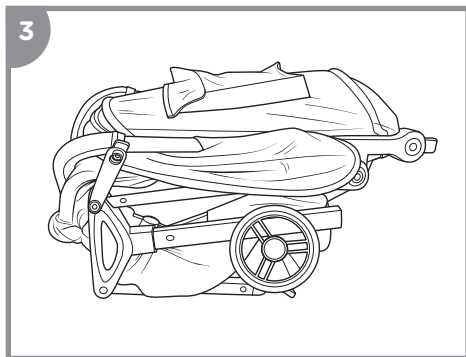
Folding the Stroller:



On HANDLE BAR, simultaneously push SMALL BUTTON with index finger and LARGE (ROUND) BUTTON with thumb. While still pressing both BUTTONS, “break” handle in half towards you.



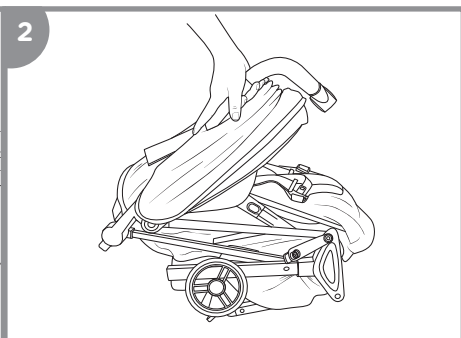
Push HANDLE BAR forward and downward until STROLLER is completely folded on the floor.



Secure LOCKING STRAP located on side of STROLLER to the POST located on the HANDLE BAR.

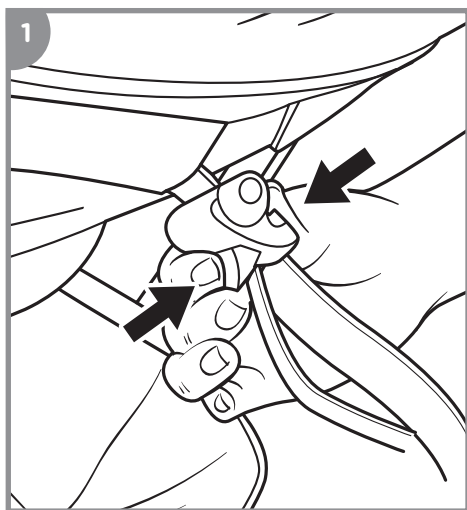
Assembly/Operating Continued

Folding the Stroller with One Hand:

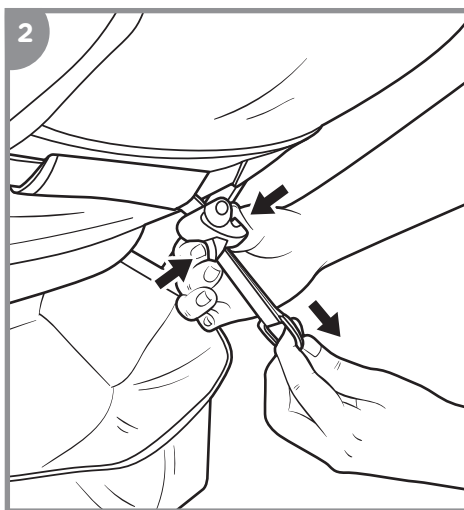


To fold with *one hand*, step on the **REAR WHEEL FOOT BRAKE** to lock **WHEEL**. Place your opposite foot on the other **WHEEL** to prevent the **STROLLER** from rolling and repeat steps 1-3.

Seat Recline:



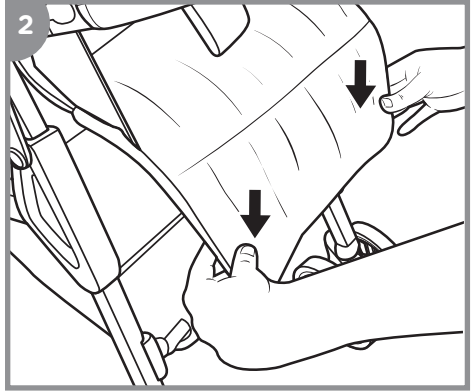
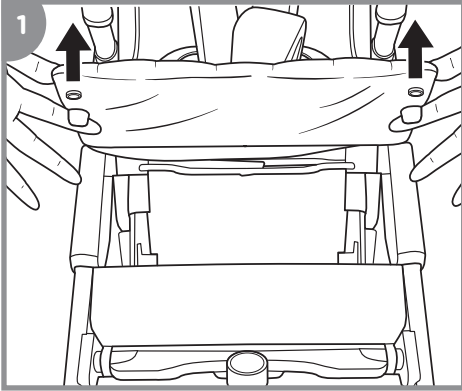
The **STROLLER SEAT** can recline back. On the back of the **STROLLER**, simply squeeze **RECLINE CLIP** to lower the **STROLLER SEAT** back .



To raise the **STROLLER SEAT**, squeeze the **RECLINE CLIP** while pulling the **RECLINE RING** in the downward direction.

Assembly/Operating Continued

Leg Rest:



The LEG REST can be adjusted up or down. Holding both corners of the LEG REST, lift up both corners until LEG REST locks in place.

To lower the LEG REST, pull the LEG REST TABS on the underside of LEG REST towards you and rotate LEG REST down. Note: this is easier when the stroller is not able to roll forwards. Use your foot to prevent the STROLLER from moving.

Care & Cleaning

- Sponge clean using warm water and mild soap. Air dry. DO NOT USE BLEACH, solvents, or household cleaners, as they may weaken the straps.

Limited Warranty

At Baby Delight, Inc. we make innovative and high quality products for babies, children and their parents. We warrant this product to be free from defects in material and workmanship for a period of 90-days from the date of initial purchase (sales receipt is required for proof of purchase). If such a defect is discovered during the limited warranty period, we will, at our sole option, repair or replace your product at no cost to you.

This limited warranty does not cover claims resulting from misuse, failure to follow the instructions on installation, maintenance and use, abuse, alteration, involvement in an accident, and normal wear and tear.

For warranty service or replacement part information:

Please call 1-401-333-6800, email info@babydelight.com, or write to Consumer Services: 30 Martin Street, Cumberland, RI 02864

Some replacement parts may be available for purchase after this limited warranty expires. Please visit us at www.babydelight.com or call us at 1-401-333-6800 for details.

B A B Y  D E L I G H T

www.babydelight.com

©2019 Baby Delight, Inc. 1-401-333-6800 info@babydelight.com
30 Martin Street, Suite 3C, Cumberland, RI 02864

BD05340