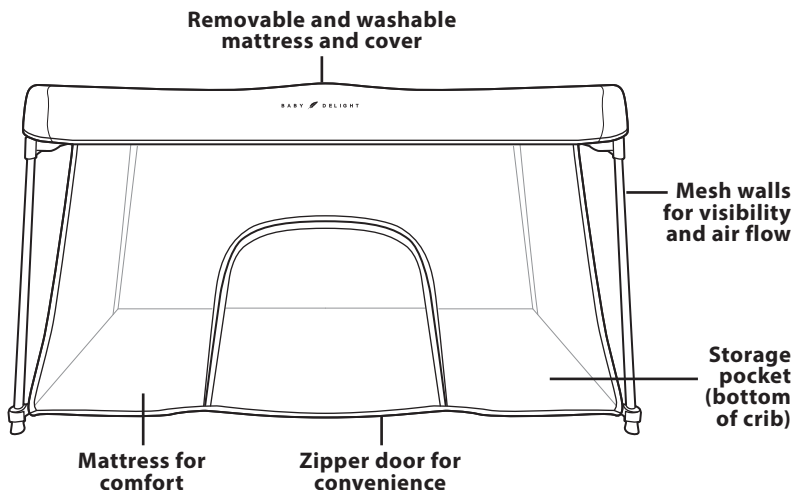


Read all instructions BEFORE assembly and USE of product.
KEEP INSTRUCTIONS FOR FUTURE USE.

BABY  DELIGHT®

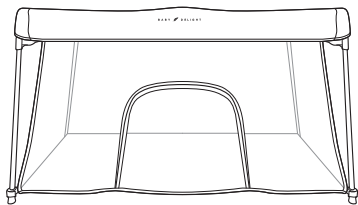
GoWithMe® Nod

Deluxe Portable Travel Crib



Care & Instructions

Contents



Travel crib



Travel Bag

WARNING:

FAILURE TO FOLLOW THESE WARNINGS AND THE INSTRUCTIONS COULD RESULT IN SERIOUS INJURY OR DEATH. PLEASE READ INSTRUCTION MANUAL BEFORE SET-UP. IF YOU MISPLACE YOUR INSTRUCTION MANUAL, NEVER USE THIS PRODUCT. CONTACT BABY DELIGHT, INC. FOR A REPLACEMENT INSTRUCTION MANUAL.

- The product, including all rails, must be fully erected prior to use.
- Make sure all latches are secure.
- Discontinue use of the product when child is able to climb out or reaches the height of 35 inches (890 mm).
- Child can become entrapped and die when improvised netting or covers are placed on top of product. Never add such items to confine child in product.
- When child is able to pull to standing position, remove bumper pads, large toys, and other objects that could serve as steps for climbing out.
- Never place product near a window where cords from blinds or drapes can strangle a child.
- Use **ONLY** mattress pad provided by Baby Delight®.
- Always provide the supervision necessary for the continued safety of your child.
- When used for playing, never leave child unattended.
- To reduce the risk of SIDS, pediatricians recommend healthy infants be placed on their back to sleep, unless otherwise advised by your physician.
- Never use this product if there are any loose or missing fasteners, loose joints, broken parts, or torn mesh/fabric. Check before assembly and periodically during use. Contact Baby Delight® for replacement parts. Never substitute parts.
- Never use plastic shipping bags or other plastic film as mattress covers not sold and intended for that purpose. They can cause suffocation.
- Never use a water mattress with this product.

SUFFOCATION HAZARD:

INFANTS CAN SUFFOCATE:

- In gaps between a mattress too small or too thick and product sides.
- On soft bedding.
- **NEVER** add a mattress, pillow, comforter or pad/padding.

STRANGULATION HAZARD:

STRINGS AND CORDS CAN CAUSE STRANGULATION! KEEP STRINGS AND CORDS AWAY FROM CHILD:

- **NEVER** place the product near a window where cords from blinds or drapes can strangle a child.
- **NEVER** hang strings on or over the product.
- **NEVER** place items with a string around a child's neck, such as hood strings, pacifier cords, etc.
- **NEVER** attach strings to toys.

! PLAYARD SET-UP:

- Keep fingers clear of folding mechanism during folding and unfolding.
- Keep all children away from the product during assembly and take down (sides not fully expanded).
- ALWAYS set up product on a flat, level surface. Check floor/ground surface underneath product floor to assure that it is clear of any objects that may injure your child. Insure surface is suitable for your child to play on.

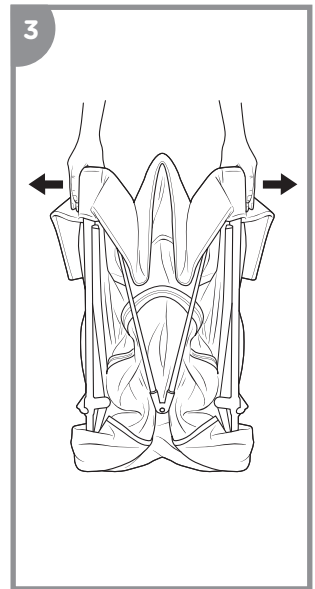
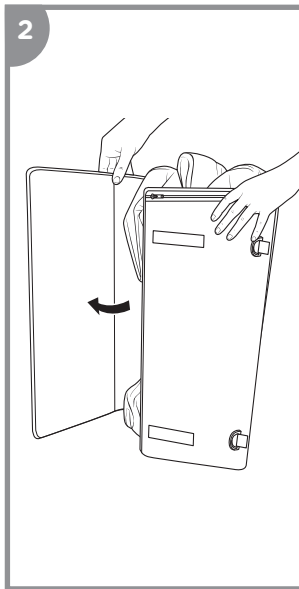
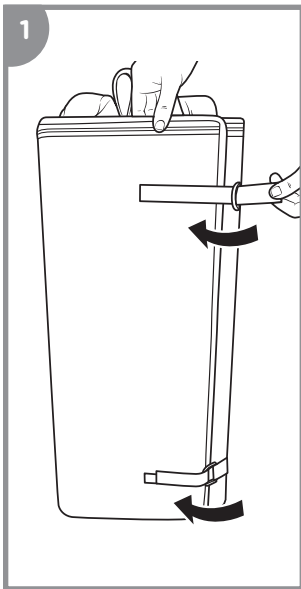
Conforms to ASTM F 406 Standard Consumer Safety Specification for Playards.

! CAUTION: KEEP SMALL PARTS OUT OF CHILD'S REACH.

IMPORTANT - READ THE INSTRUCTIONS CAREFULLY BEFORE USE AND KEEP THEM FOR FUTURE REFERENCE.

Assembly/Operating Instructions

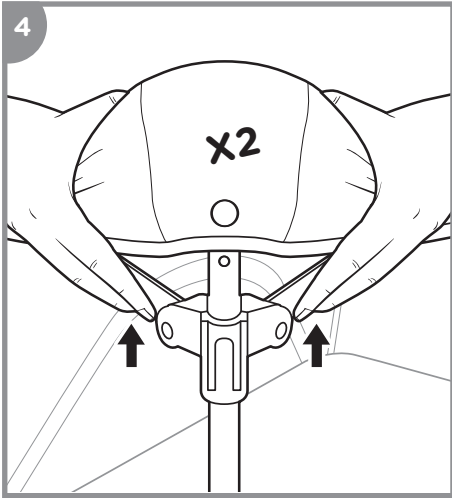
Assembling the Travel Crib:



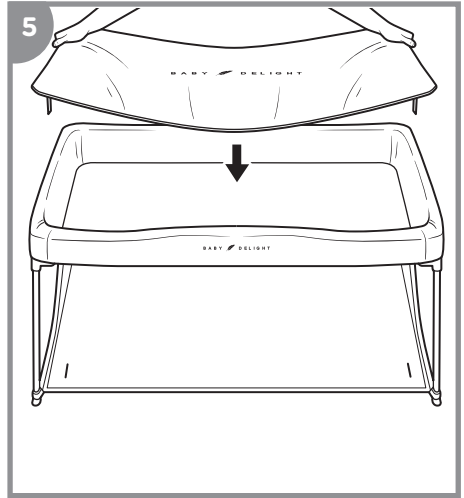
Remove TRAVEL CRIB from TRAVEL BAG. Unfasten TOP and BOTTOM LOOP FASTENERS from MATTRESS and unfold MATTRESS.

Pull open TRAVEL CRIB.

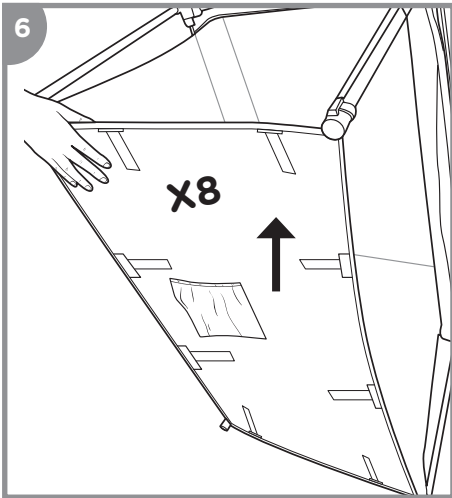
Assembly/Operating Continued:



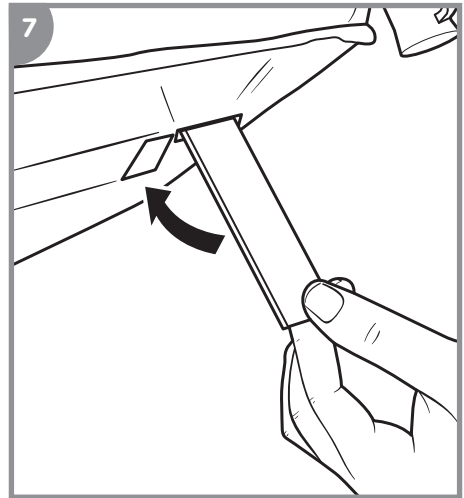
There are two FRAME LOCKS on two opposite corners of the FRAME LEGS. Slide each FRAME LOCK up the FRAME LEG until the FRAME LOCK BUTTONS snap into place. Make sure both FRAME LOCKS are engaged.



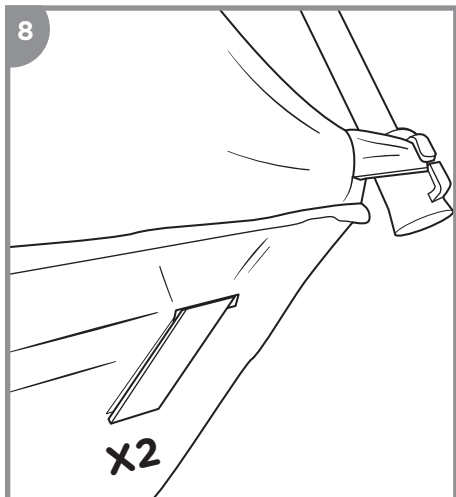
Place the MATTRESS into the TRAVEL CRIB with the Baby Delight LOGO facing up.



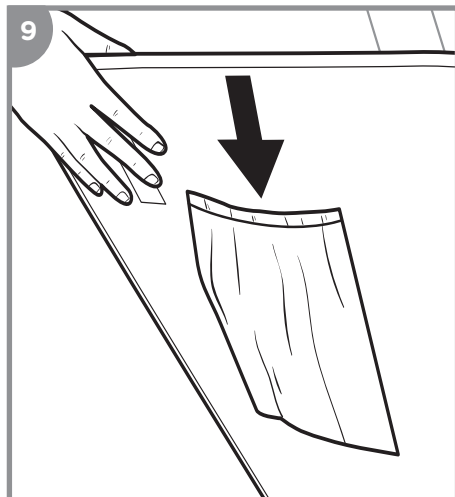
There are 8 FABRIC TABS on each corner of the underside of the MATTRESS. Insert the MATTRESS FABRIC TABS through the corresponding slots in the top of the TRAVEL CRIB FLOOR corners and secure to tabs.



Assembly/Operating Continued:

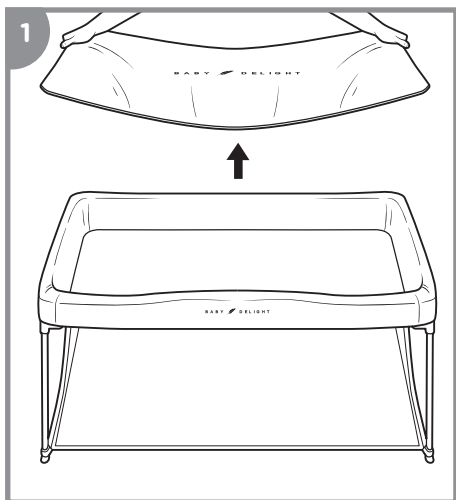


There are 2 HOOK AND LOOP fasteners on the underside of the TOP FRAME COVER on each side. Secure these to each other.

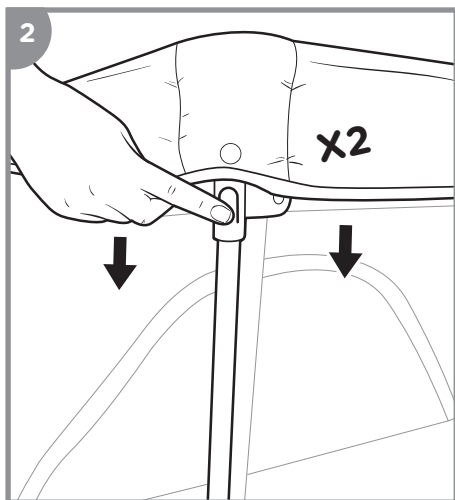


Place this INSTRUCTION MANUAL in the POCKET on the UNDERSIDE of the TRAVEL CRIB.

Folding the TRAVEL CRIB:

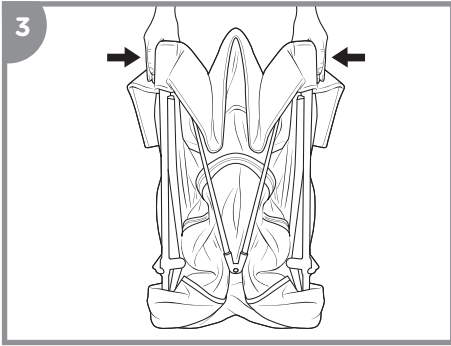


Remove the MATTRESS. Remember to unfasten the FABRIC TABS at each corner of the MATTRESS.

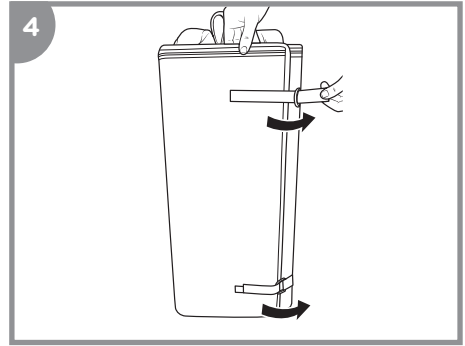


There are two FRAME LOCKS on two opposite corners of the FRAME LEGS. Press the FRAME LOCK BUTTON down on each corner to disengage the FRAME LOCK.

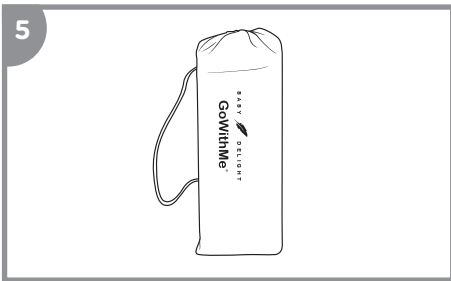
Assembly/Operating Continued:



Standing behind the long side of the TRAVEL CRIB collapse the TRAVEL CRIB by grabbing the two corners closest to you and compressing inward.



With the Baby Delight logo facing in, wrap the MATTRESS around the folded FRAME until you can overlap the 5th PANEL of the MATTRESS over the 4th PANEL and secure TOP and BOTTOM LOOP FASTENERS until tight.



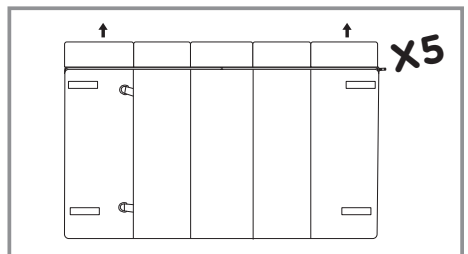
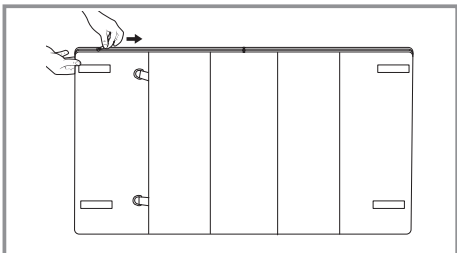
Place TRAVEL CRIB into TRAVEL BAG

Care & Cleaning

Simply use a mild soap and damp cloth to wipe down the BASSINET.

To machine wash MATTRESS, wash on gentle cycle and air dry.

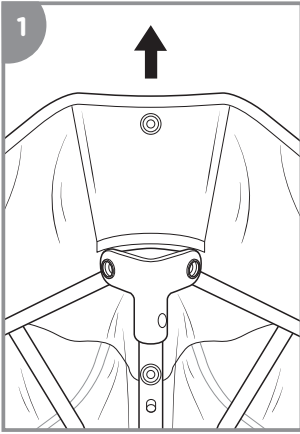
NOTE: There are 5 SUPPORT BOARDS on the underside of the MATTRESS. Unzip the zipper on the bottom of the MATTRESS and remove these before washing. Re-insert them after washing MATTRESS.



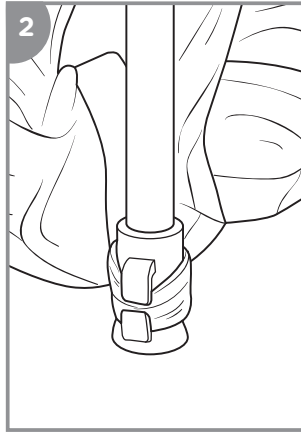
Washing

To machine wash FABRIC COVER, wash on gentle cycle and air dry

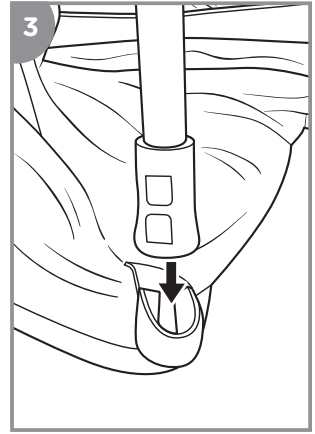
To remove FRAME COVER:



There are 3 SNAPS on each upper corner of the TRAVEL CRIB FRAME. Unsnap COVER at each corner.

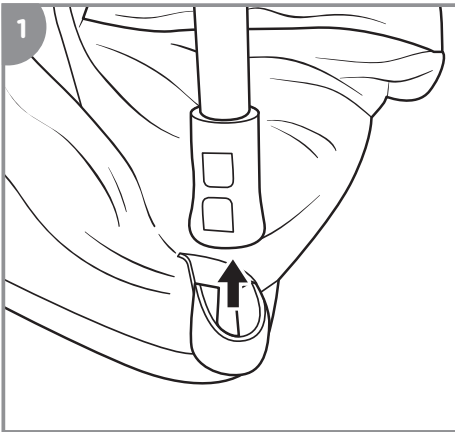


Compress TRAVEL CRIB, slide the NYLON LOOPS through the FOOT SLOTS on each lower corner of the FRAME LEGS.

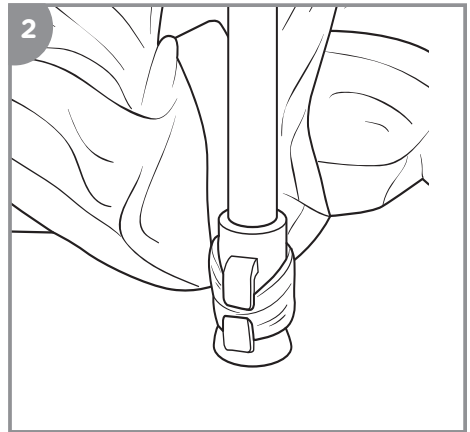


Slide NYLON LOOPS off each FRAME LEG.

To re-assemble FABRIC COVER:



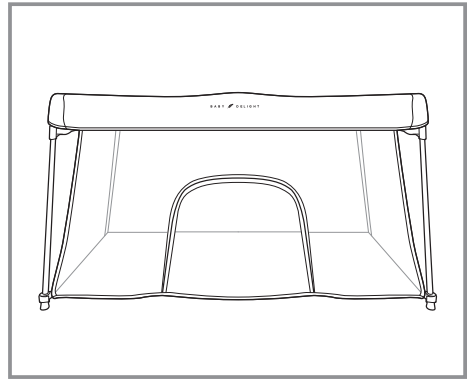
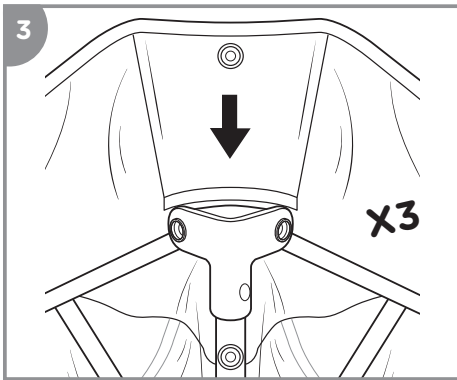
Place NYLON LOOPS over each FRAME FOOT.



Slide NYLON LOOPS through the FOOT SLOTS on the outside of each of the FRAME FEET.

Washing Continued

To re-assemble FABRIC COVER Continued:



Re-snap FRAME COVER to the 3 SNAPS on each corner. Repeat steps 4-10 from Assembling the Travel Crib section.

Limited Warranty

At Baby Delight, Inc. we make innovative and high quality products for babies, children and their parents. We warrant this product to be free from defects in material and workmanship existing at the time of manufacture for a period of 90-days from the date of initial purchase (sales receipt is required for proof of purchase). If such a defect is discovered during the limited warranty period, we will, at our sole option, repair or replace your product at no cost to you.

This limited warranty does not cover claims resulting from misuse, failure to follow the instructions on installation, maintenance and use, abuse, alteration, involvement in an accident, and normal wear and tear.

For warranty service or replacement part information:

Please call 1-401-333-6800, email info@babydelight.com, or write to Consumer Services: 30 Martin Street, Suite 3C, Cumberland, RI 02864

Some replacement parts may be available for purchase after this limited warranty expires. Please visit us at www.babydelight.com or call us at 1-401-333-6800 for details.

B A B Y  D E L I G H T

www.babydelight.com