

# 0-5 months

**Discontinue use when infant can sit up unassisted.**

## Limited Warranty

At Baby Delight, Inc. we make innovative and high quality products for babies, children and their parents. We warrant this product to be free from defects in material and workmanship existing at the time of manufacture for a period of 90-days from the date of initial purchase (sales receipt is required for proof of purchase). If such a defect is discovered during the limited warranty period, we will, at our sole option, repair or replace your product at no cost to you.

This limited warranty does not cover claims resulting from misuse, failure to follow the instructions on installation, maintenance and use, abuse, alteration, involvement in an accident, and normal wear and tear.

For warranty service or replacement part information:

USA: Please call Customer Service at 1-401-333-6800, email at [info@babydelight.com](mailto:info@babydelight.com), or mail 30 Martin Street, Suite 3C, Cumberland, RI 02864.

B A B Y  D E L I G H T

[www.babydelight.com](http://www.babydelight.com)

©2017 Baby Delight, Inc.

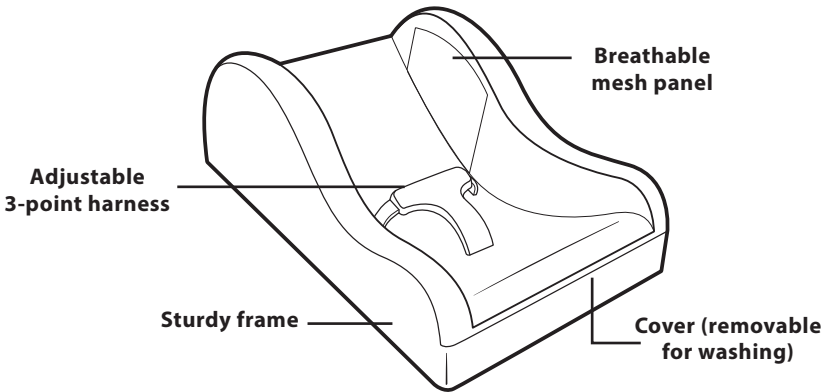
1-401-333-6800

[info@babydelight.com](mailto:info@babydelight.com)

BD06050

# Nestle Nook Comfort

## Plush Infant Napper



### Care & Instructions

#### Warnings & Guidelines:

## WARNING:

Failure to follow these warnings and the instructions could result in serious injury or death.

## FALL HAZARD

To prevent falls, stop using the product when infant:

- Begins to roll over, or can pull up on sides (approximately 5 months).
- NEVER carry child in product.
- ALWAYS USE ON FLOOR.
- NEVER use on any elevated surface (such as counter tops, tables, or any elevated surface from which the infant can fall).
- NEVER use in automobiles.
- ALWAYS use restraint system and anchor the restraint system webbing to plastic frame.





# SUFFOCATION HAZARD - INFANTS HAVE SUFFOCATED:

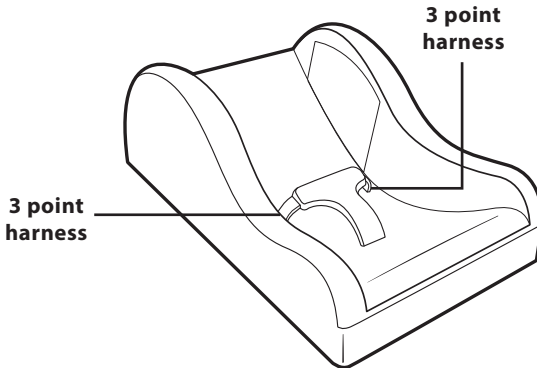
- On added pillows, blankets and extra padding: **ONLY** use the padded cover provided by the manufacturer.
  - **NEVER** place extra padding under or beside infant.
- When trapped between product and adjacent surface.
  - **NEVER** use inside cribs, play yards or other products.
  - **NEVER** use in contained areas (for example; crib, play yard) or next to vertical surfaces (for example; walls and dressers).
- When product was placed on a soft surface and tipped over.
  - **NEVER** use on a soft surface (for example; bed, sofa, cushion).
  - **ALWAYS** place child on their back to sleep.

## Product Setup

- 1 Machine wash before first use.  
Refer to Care & Cleaning section on page 3.

- 2 Place Nestle Nook on floor. **NEVER** use on any elevated surface such as counter tops, tables, or any elevated surface from which the infant can fall.

- 3 Place baby into Nestle Nook 3 point harness and pull straps to adjust until baby is secure. **NEVER** move or lift Nestle Nook while baby is in it.



## Care & Cleaning:

1 To wash cover, unzip cover and remove harness from product by sliding straps through inner frame then through outer cover slots. Zip outer cover shut before washing.

2 Machine wash cover with warm water on gentle cycle. Do not use bleach.

3 Tumble dry low. Do not iron.

4 Replace cover back onto product (starting at the head), making sure that:

- The harness and crotch restraint are passed back through the outer cover slots and inner frame slots and fastened underneath (see image below).
- The outer cover is fully zipped before next use.

